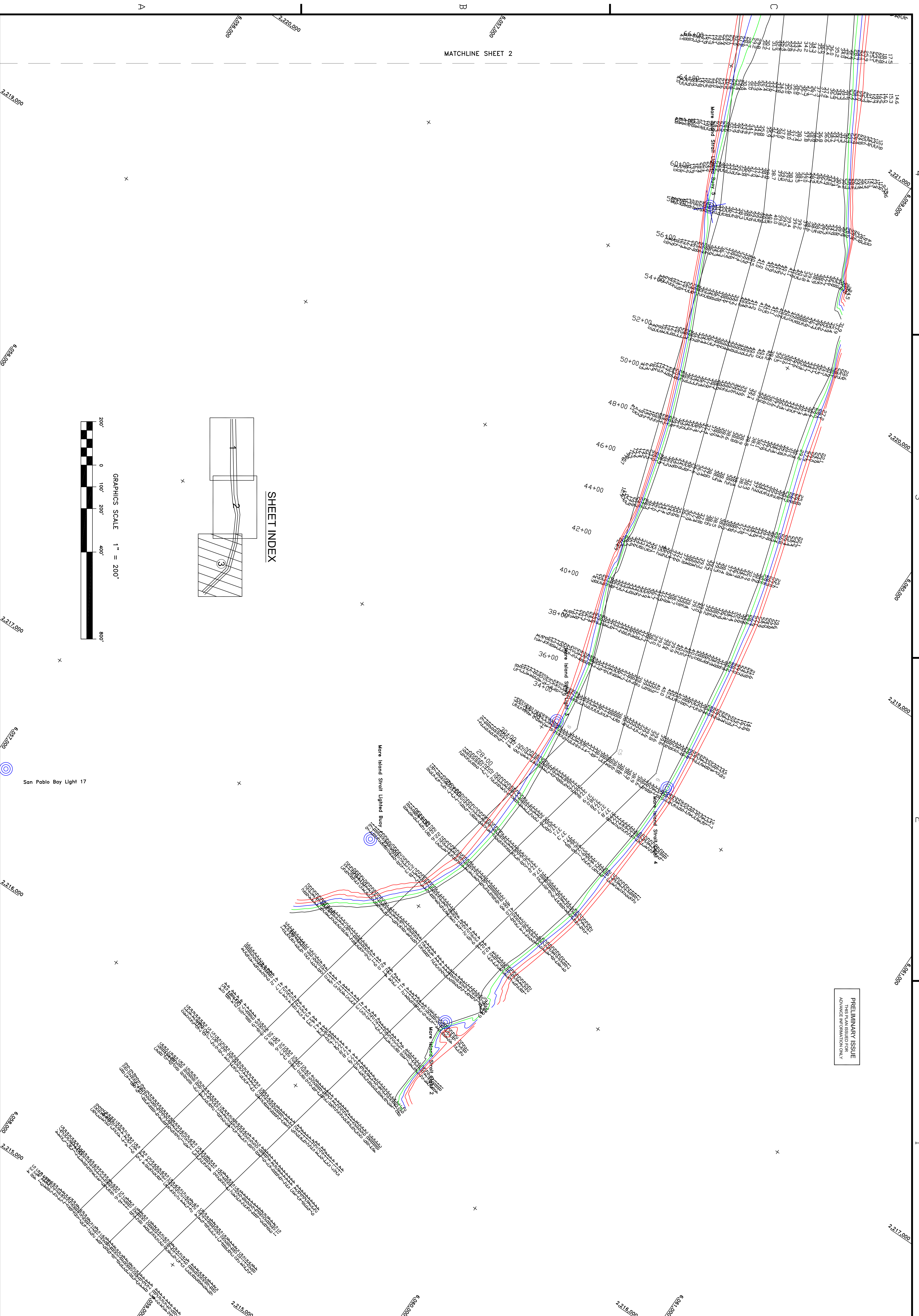
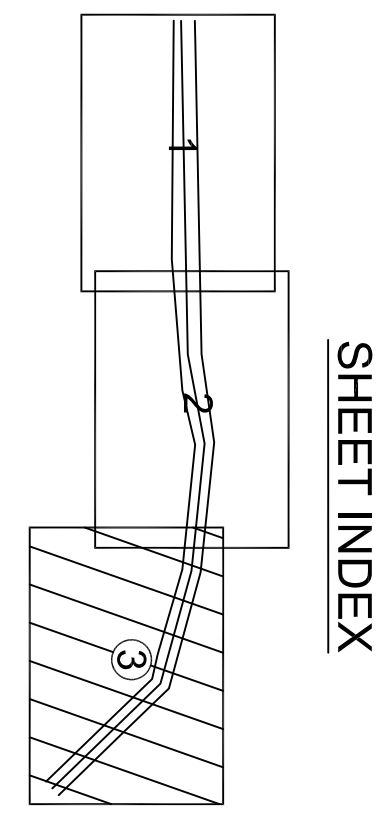
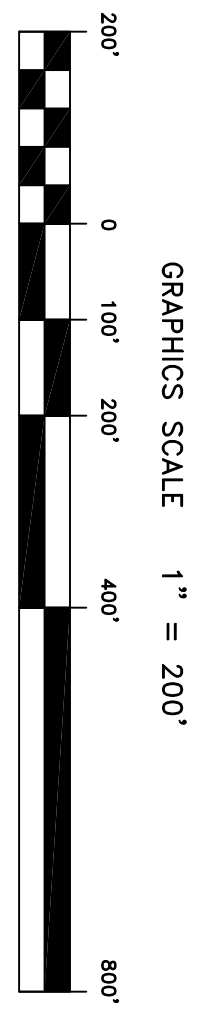


MATCHLINE SHEET 2



PRELIMINARY ISSUE
THIS PLAN ISSUED FOR
ADVANCE INFORMATION ONLY

Sheet
reference
number
C3

MARIN COUNTY CALIFORNIA
**MARE ISLAND STRAIT
CONDITION SURVEY
15-16 SEPTEMBER 2009**

SUBMITTED: PC	DESIGNED BY:	CHECKED BY: TVW	DRAWN BY: EWC
Hydro Survey Team Leader	DATE: 09/21/2009	SHEET NO. 3 OF 3	DRAWING NO. X X XXX
APPROVAL RECOMMENDED:	PREPARED UNDER THE DIRECTION OF LAURENCE M. FARRELL		
Chief, Technical Support Section	LT. COLONEL, C.E., DISTRICT ENGINEER		
APPROVED:			
Chief, Construction Branch			

Mark	Description	Date	Appr.

US Army Corps
of Engineers
San Francisco District
San Francisco, CA 94103