
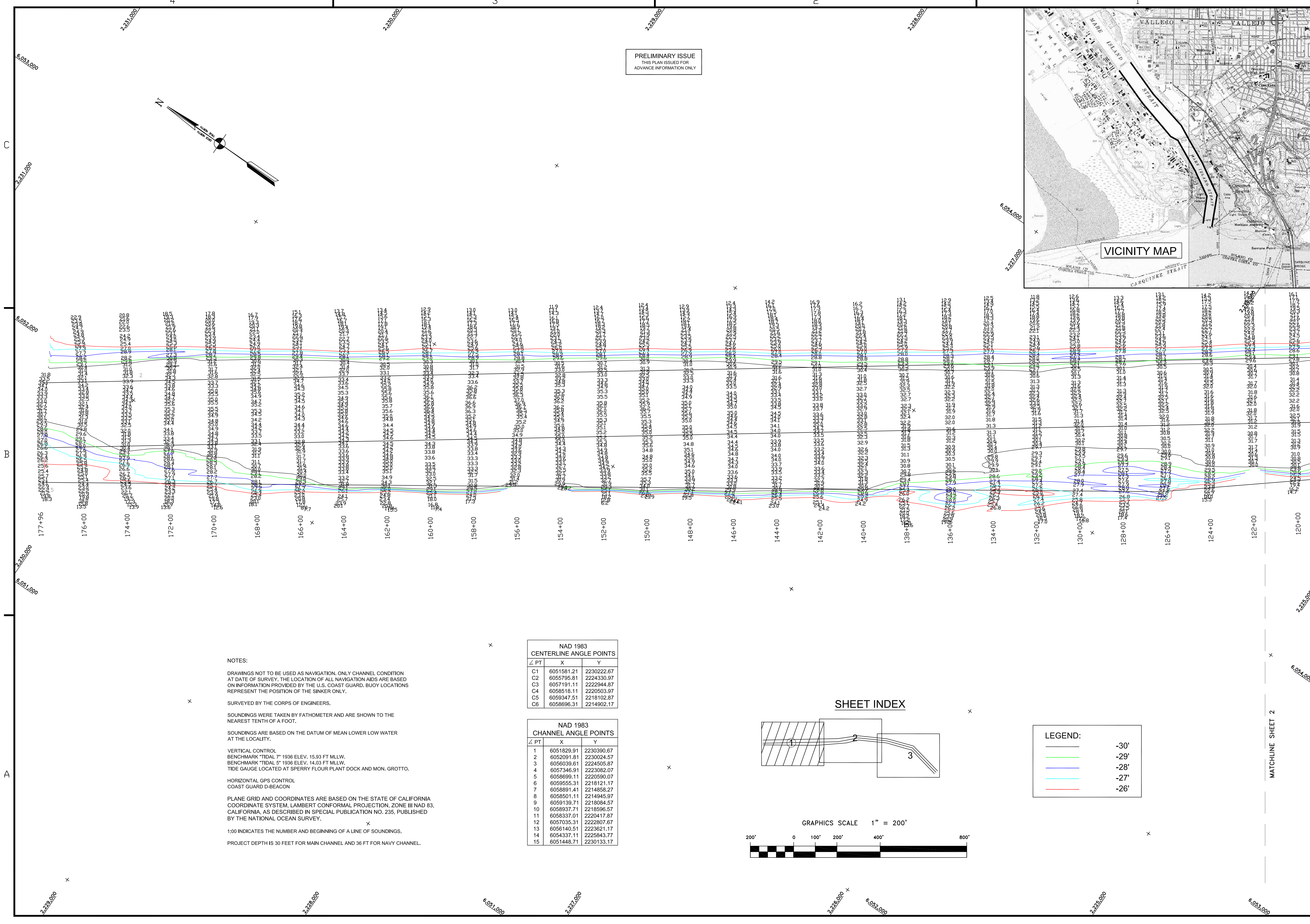
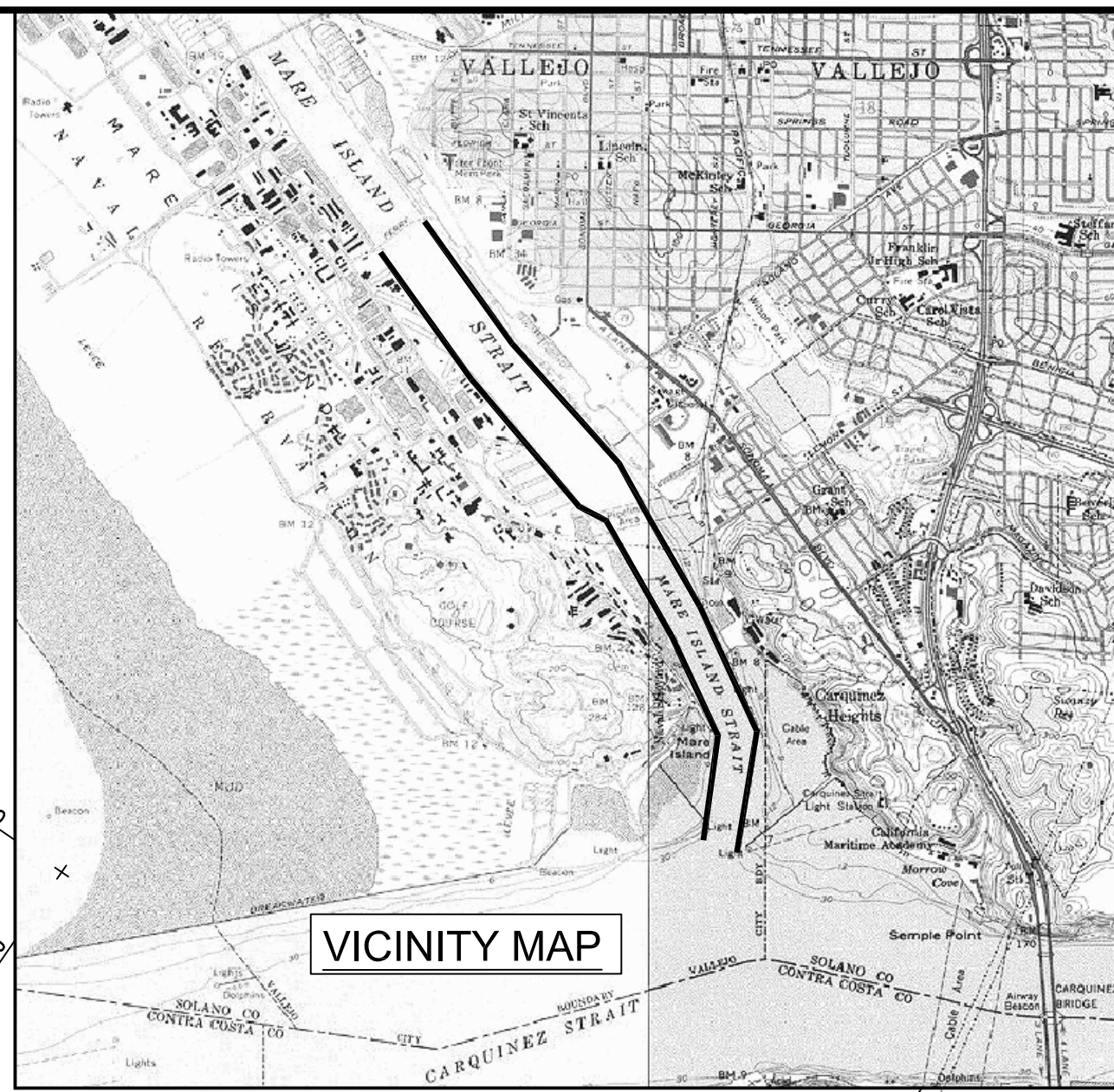


PRELIMINARY ISSUE
THIS PLAN ISSUED FOR
ADVANCE INFORMATION ONLY


US Army Corps
of Engineers
San Francisco District
1455 Market Street
San Francisco, CA 94103



NOTES:

DRAWINGS NOT TO BE USED AS NAVIGATION. ONLY CHANNEL CONDITION AT DATE OF SURVEY. THE LOCATION OF ALL NAVIGATION AIDS ARE BASED ON INFORMATION PROVIDED BY THE U.S. COAST GUARD. BUOY LOCATIONS REPRESENT THE POSITION OF THE SINKER ONLY.

SOUNDINGS WERE TAKEN BY FATHOMETER AND ARE SHOWN TO THE NEAREST TENTH OF A FOOT.

SOUNDINGS ARE BASED ON THE DATUM OF MEAN LOWER LOW WATER AT THE LOCALITY.

VERTICAL CONTROL
BENCHMARK "TIDAL 7" 1936 ELEV. 15.93 FT MLLW.
BENCHMARK "TIDAL 5" 1936 ELEV. 14.03 FT MLLW.
TIDE GAUGE LOCATED AT SPERRY FLOUR PLANT DOCK AND MON. GROTTO.

HORIZONTAL GPS CONTROL
COAST GUARD D-BEACON

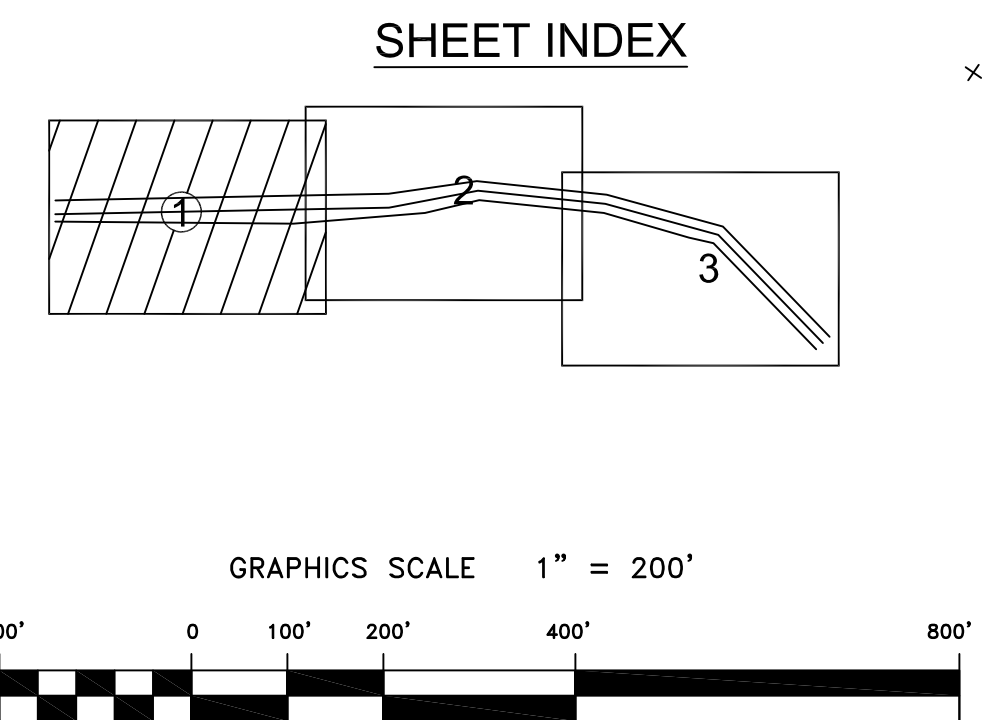
PLANE GRID AND COORDINATES ARE BASED ON THE STATE OF CALIFORNIA COORDINATE SYSTEM, LAMBERT CONFORMAL PROJECTION, ZONE III NAD 83, CALIFORNIA, AS DESCRIBED IN SPECIAL PUBLICATION NO. 235, PUBLISHED BY THE NATIONAL OCEAN SURVEY.

1:00 INDICATES THE NUMBER AND BEGINNING OF A LINE OF SOUNDINGS.

PROJECT DEPTH IS 30 FEET FOR MAIN CHANNEL AND 36 FT FOR NAVY CHANNEL.

NAD 1983 CENTERLINE ANGLE POINTS			
∠ PT	X	Y	
C1	6051581.21	2230222.67	
C2	6055795.81	2224330.97	
C3	6057191.11	2222944.87	
C4	6058518.11	2220503.97	
C5	6059347.51	2218102.87	
C6	6058696.31	2214902.17	

NAD 1983 CHANNEL ANGLE POINTS			
∠ PT	X	Y	
1	6051829.91	2230390.67	
2	6052091.81	2230024.57	
3	6056039.61	2224505.87	
4	6057346.91	2223082.07	
5	6058699.11	2220590.07	
6	6059555.31	2218121.17	
7	6058891.41	2214858.27	
8	6058501.11	2214945.97	
9	6059139.71	2218004.57	
10	6058937.71	2218596.57	
11	6058337.01	2220417.87	
12	6057035.31	2222807.67	
13	6056140.51	2223621.17	
14	6054337.11	2225843.77	
15	6051448.71	2230133.17	



Mark	Description	Date	Appr.

DESIGNED BY:	CHECKED BY:	DRAWN BY:
PDT	PDT	PDT
Hydro Survey Team Leader		
APPROVAL RECOMMENDED:	DATE:	SHEET NO.
07/21/2011	1 OF 3	X X X
CHIEF, Technical Support Section	PREPARED UNDER THE DIRECTION OF	
	TORREY A. DICIRO	
	LT. COLONEL, C.E., DISTRICT ENGINEER	

MARIN COUNTY CALIFORNIA
MARE ISLAND STRAIT
CONDITION SURVEY
19-20 JULY 2011

Sheet reference number
C1