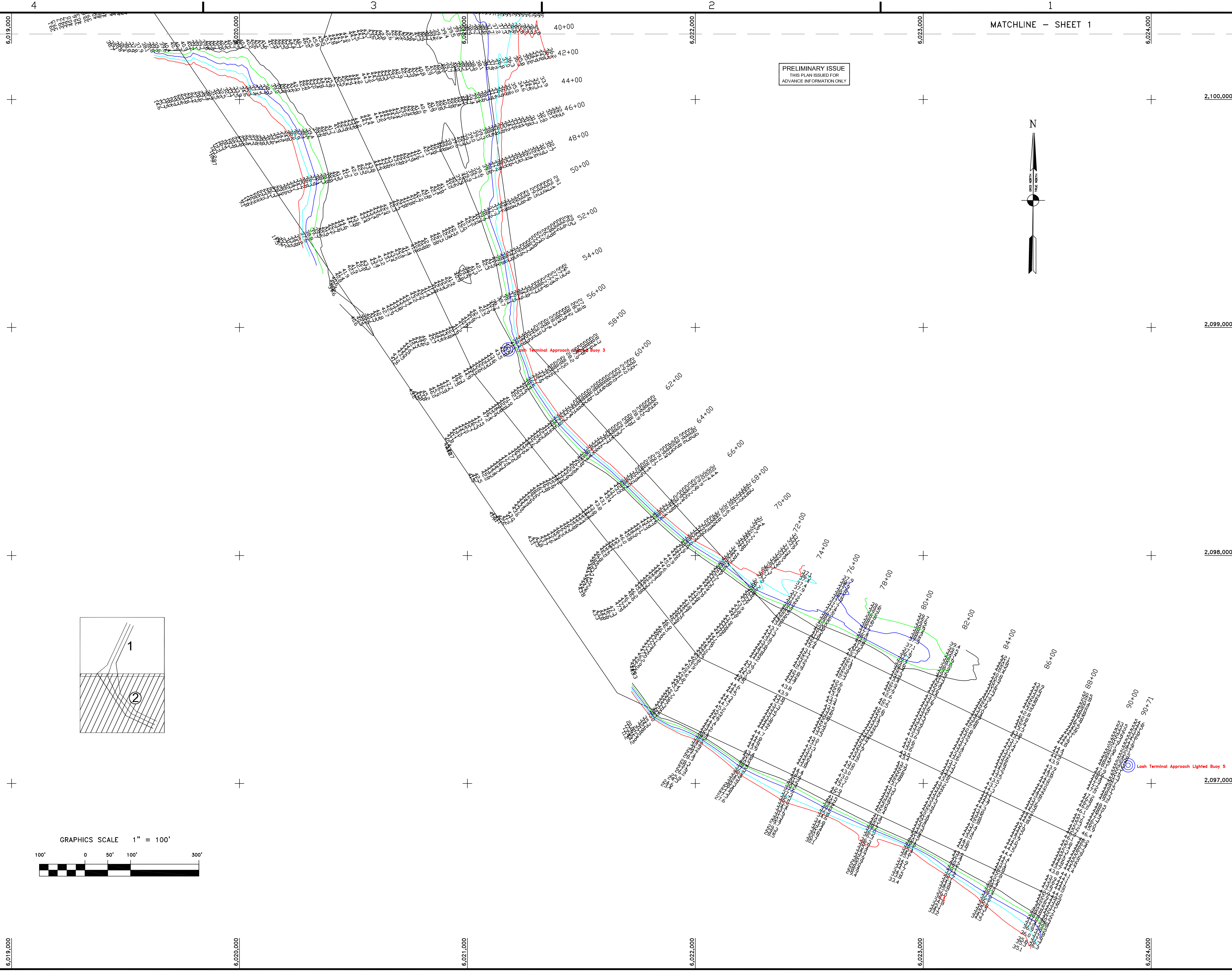
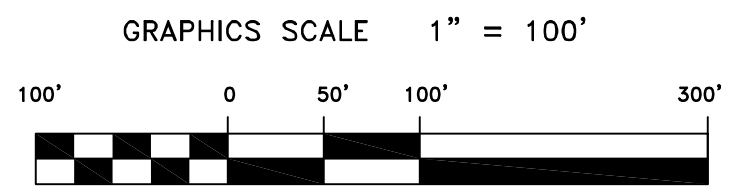
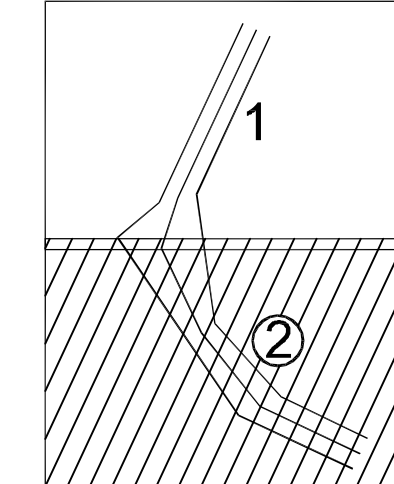
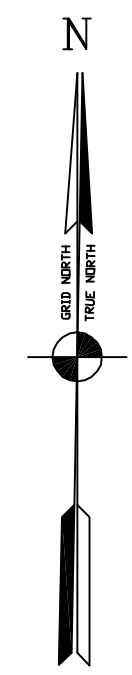


PRELIMINARY ISSUE
THIS PLAN ISSUED FOR
ADVANCE INFORMATION ONLY



US Army Corps
of Engineers
San Francisco District
333 Market Street
San Francisco, CA 94105

Mark	Description	Date	Appr.

SUBMITTED:	PDT Hydro Survey Team Leader	DESIGNED BY:	DATE:	CHECKED BY:	DRAWN BY:		
					PDT	DRAWING NO.	PDT
APPROVAL RECOMMENDED:	STEPHEN P. KILGON, P.S.M Chief, Geometrics Section	DESIGNED BY:	6/22/2010	CHECKED BY:	2 OF 2	1	2
APPROVED:	LAURENCE M. FARRELL Lt. Colonel, C.E., District Engineer	DATE:	6/22/2010	PREPARED UNDER THE DIRECTION OF	2	1	2
							XXX

CALIFORNIA
SAN FRANCISCO BAY
ISLAIS CREEK SHOAL CHANNEL
CONDITION SURVEY
16 JUNE 2010

Sheet reference number
G2