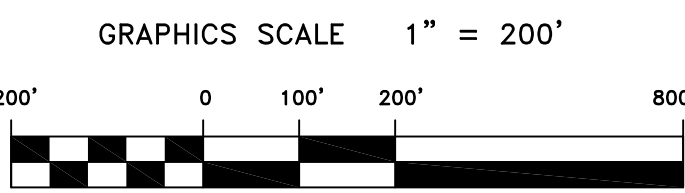
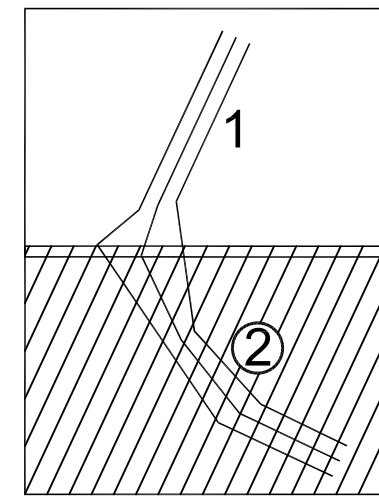


MATCHLINE - SHEET 1

PRELIMINARY ISSUE  
THIS PLAN ISSUED FOR  
ADVANCE INFORMATION ONLY



US Army Corps  
of Engineers  
San Francisco District  
333 Market Street  
San Francisco, CA 94105

Mark	Description	Date	Appr.

SUBMITTED:	PDT	CHECKED BY:	DESIGNED BY:	DRAWN BY:	PDT
Hydro Survey Team Leader	PDI	PDI	PDI	PDI	PDI
APPROVAL RECOMMENDED:	SHEET NO.	DATE	DATE	DRAWING NO.	DRAWING NO.
Chief, Geomatics Section	2 OF 2	12/18/2012	12/18/2012	1	2
APPROVED:	PREPARED UNDER THE DIRECTION OF			JOHN K. BAKER	
Chief, Construction Branch				LT. COLONEL, C.E., DISTRICT ENGINEER	

CALIFORNIA  
SAN FRANCISCO BAY  
ISLAIS CREEK SHOAL CHANNEL  
CONDITION SURVEY  
12-13 DECEMBER 2012

Sheet reference number  
C2