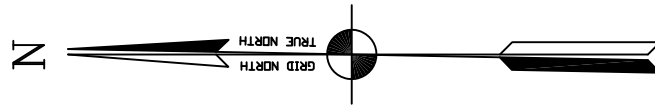
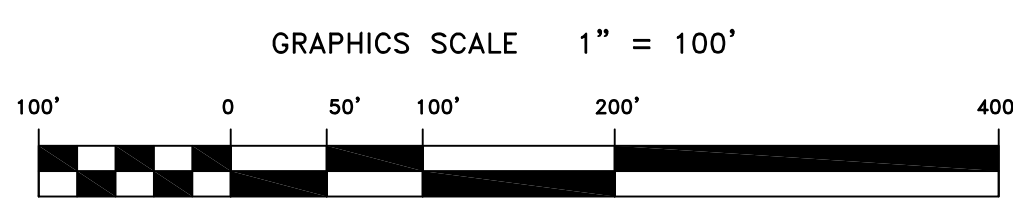
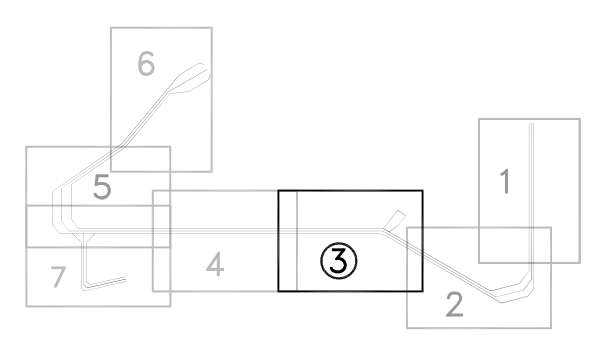



PRELIMINARY ISSUE
THIS PLAN ISSUED FOR
ADVANCE INFORMATION ONLY



SHEET INDEX




US Army Corps
of Engineers
San Francisco District
333 Market Street
San Francisco, CA 94105

Mark	Description	Date	Appr.

DESIGNED BY:	PDT	CHECKED BY:	PDT	DRAWN BY:	PDT
DATE:	2/10/2012	DATE:	3 OF 7	DATE:	11 2 XXX
APPROVAL RECOMMENDED:		APPROVED:		PREPARED UNDER THE DIRECTION OF:	TORREY A. DICIRO
					LT. COLONEL, C.E., DISTRICT ENGINEER

SONOMA COUNTY
CALIFORNIA
BODEGA BAY CHANNEL
CONDITION SURVEY
6-9 FEBRUARY 2012

Sheet reference number
C3

MATCHLINE SHEET 4

MATCHLINE SHEET 3